

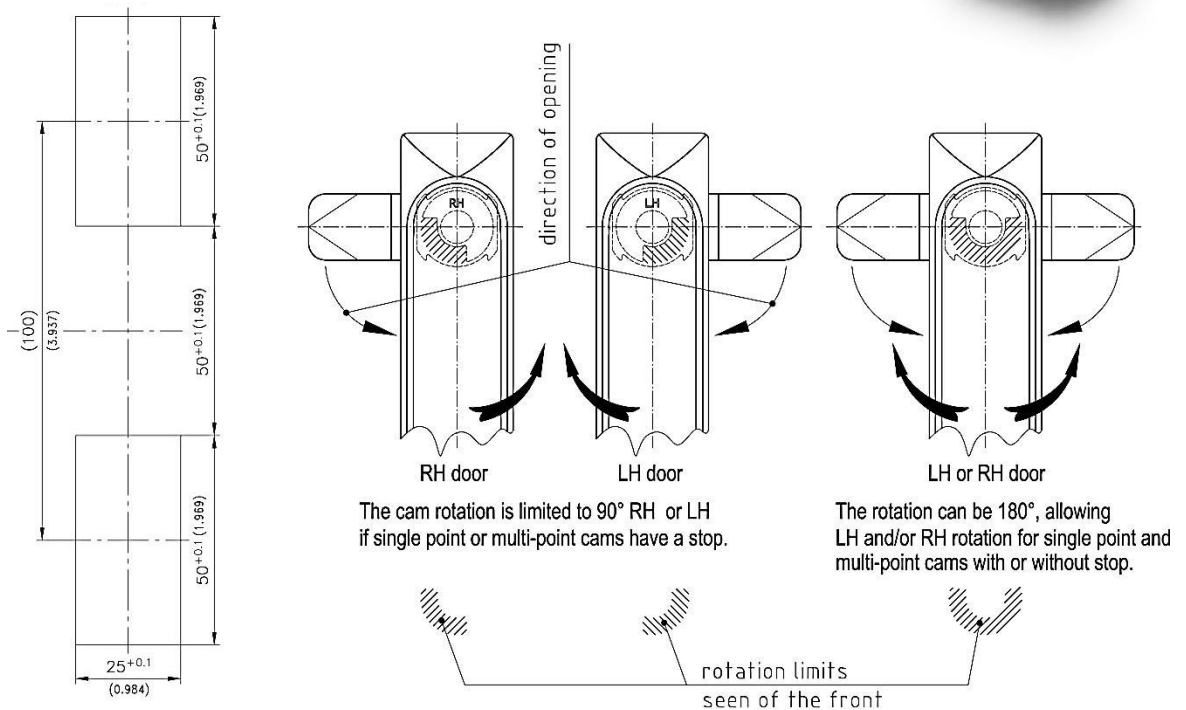
C090SL Swinghandle

Features

- Swinghandle with pull-and-swing handle for profile-cylinders to DIN 18252
- The 3 rotation-limit options allow single or multi-point cams with or without a rotation stop
- 90° for RH doors with counter-clockwise opening
- 90° for LH doors with clockwise opening
- 180° for RH and LH, clockwise and counter-clockwise opening
- The rotation stop prevents a damaging over-rotation and brings the operating handle exactly in line with the dish-cavity preventing damaging of the dish
- The IP65 according to DIN EN 60529 will be achieved by the lower internal sealing cap. Sealings are included
- Snap-in installation

Material

- Dish, handle, cover and cap: PA, black
- O-Rings: NBR Perbunan
- Hexagon nut and washer: Steel, zinc plated
- Shaft: Brass, untreated
- Snap wedges: Sintered steel
- Dish: Zinc die, untreated

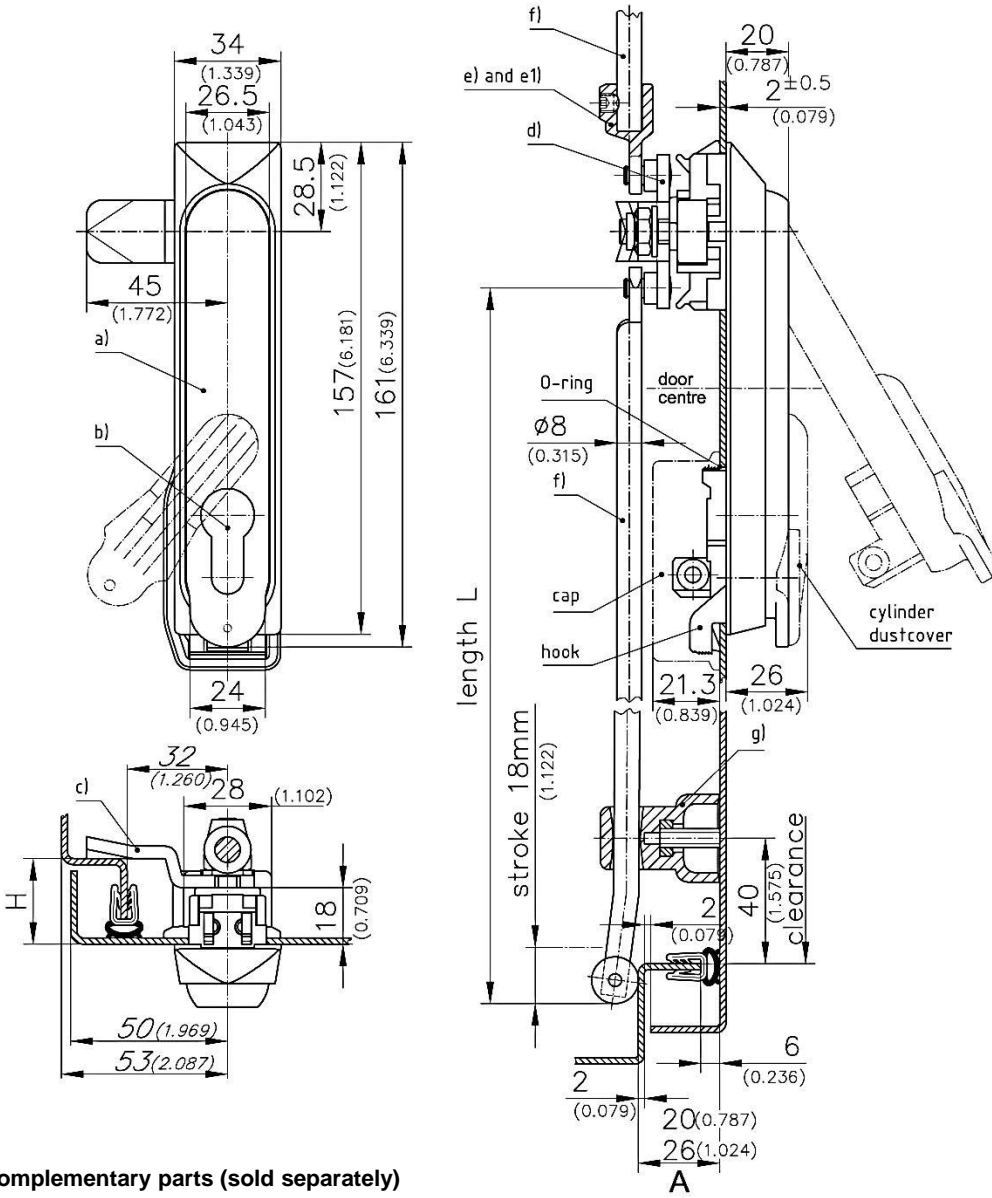


With cylinder dustcover:

Part No.	Swing	Clamping Range
C090SL-E07-9505-15	RH, 90°	1.3 - 2.0
C090SL-E07-9505-18	RH, 90°	1.5 - 2.2
C090SL-E07-9505-20	RH, 90°	1.8 - 2.5
C090SL-E07-9507-15	LH, 90°	1.3 - 2.0
C090SL-E07-9507-18	LH, 90°	1.5 - 2.2
C090SL-E07-9507-20	LH, 90°	1.8 - 2.5
C090SL-E07-9509-15	RH / LH, 180°	1.3 - 2.0
C090SL-E07-9509-18	RH / LH, 180°	1.5 - 2.2
C090SL-E07-9509-20	RH / LH, 180°	1.8 - 2.5

Without cylinder dustcover:

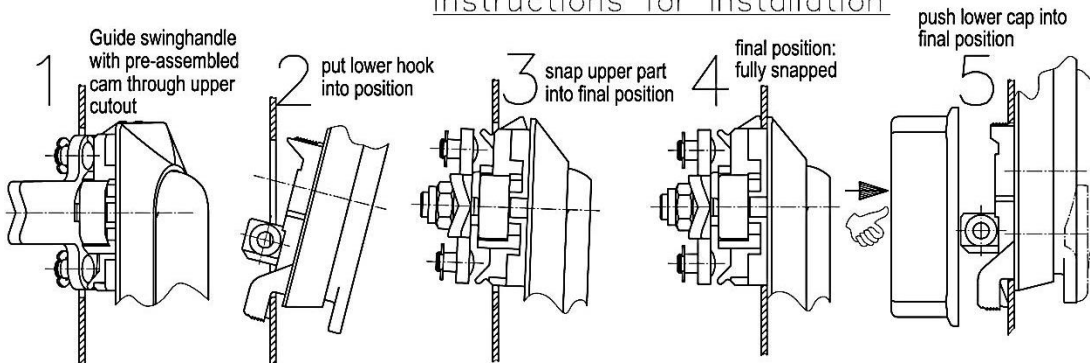
Part No.	Swing	Clamping Range
C090SL-E07-9506-15	RH, 90°	1.3 - 2.0
C090SL-E07-9506-18	RH, 90°	1.5 - 2.2
C090SL-E07-9506-20	RH, 90°	1.8 - 2.5
C090SL-E07-9508-15	LH, 90°	1.3 - 2.0
C090SL-E07-9508-18	LH, 90°	1.5 - 2.2
C090SL-E07-9508-20	LH, 90°	1.8 - 2.5
C090SL-E07-9510-15	RH / LH, 180°	1.3 - 2.0
C090SL-E07-9510-18	RH / LH, 180°	1.5 - 2.2
C090SL-E07-9510-20	RH / LH, 180°	1.8 - 2.5



Complementary parts (sold separately)

- b) Profile cylinder
- c) Cams
- d) Cam adapter
- e) Rod adapter
- f) Rod
- g) Rod guide

Instructions for installation



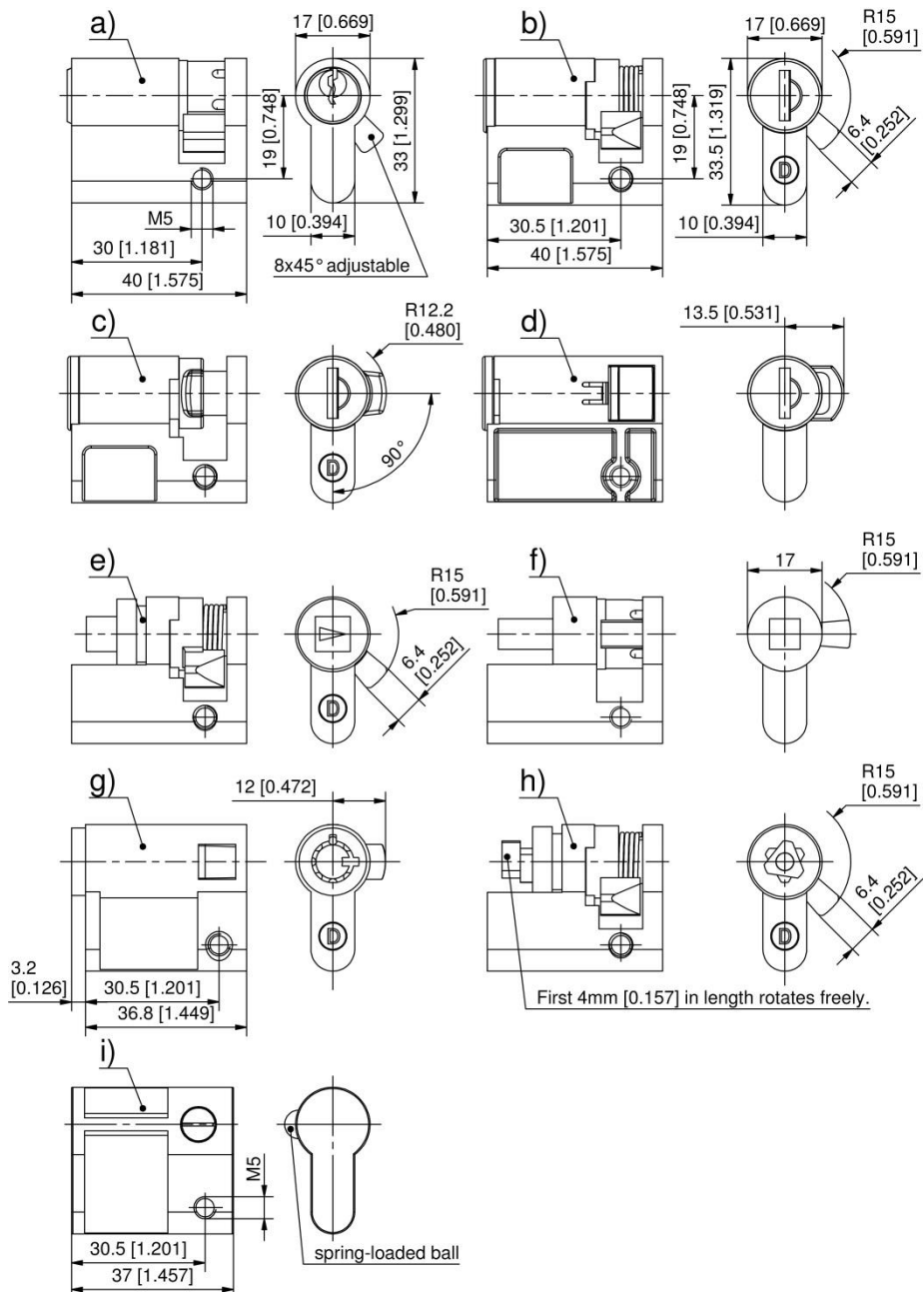
C140 Profile Cylinder

Features

- Type (a): Key removable in closed status only
- Type (b): Key removable in locked status only. Spring loaded clip-in cam.
- Type (c): Key removable in locked and unlocked position. Cam has 90° stroke, not clip-in. Cam length is 12.2mm / 0.480.
- Type (e): Spring loaded clip-in cam.
- Types (b), (c), and (g) supplied with 2 keys
- Type (a) supplied with 3 keys

Material

- Types (a) and (f): Brass, nickel plated
- Types (b), (c), (e) and (g): Zinc die, chrome plated
- Types (i) and (d): PA, black
- Cylinder: Zinc die



Type (a): Profile-cylinder with pin tumbler cylinder, DIN 18252/18254, 8 x 45° adjustable

Part No.	Key
C11-9001	Keyed differently
C11-9002	Keyed alike

Type (c): Profile-cylinder with cylinder barrel, 90° rotation

Part No.	Key
C11-9301	Keyed differently
C11-9302	Keyed alike (key code 1333)
F11-9302	Keyed alike (key code DS200)

Type (e): Profile-cylinder with insert, clip-in

Part No.	Key
C11-9202	Square 6 mm
C11-9203	Square 7 mm
C11-9204	Square 8 mm
C11-9205	Square 8mm, slotted
C11-9206	Triangular 7 mm
C11-9207	Triangular 8 mm
C11-9208	Double bit 3 mm pin
C11-9209	Double bit 5 mm pin
C11-9210	Triangular 6.5 mm CNOMO type 1
C11-9211	Socket hex 10 mm
C11-9212	Slotted 2 x 4 mm
C11-9213	Daimler Benz type
C11-9214	Crown type
C11-9215	Square socket 6 mm
C11-9216	Square socket 7 mm
C11-9217	Square socket 8 mm
C11-9218	Slotted recessed coinproof
C11-9219	Crescent Czech
C11-9220	Hex Belcore 7/16"

Type (b): Profile-cylinder with cylinder barrel, clip-in

Part No.	Key
C11-9101	Keyed differently
C11-9102	Keyed alike (key code 1333)
F11-9102	Keyed alike (key code DS200)

Type (d): Profile-cylinder with cylinder barrel, PA housing, clip-in

Part No.	Key
C11-9113	Keyed alike (key code 1333)
C11-9115	Keyed differently (dual entry)

Type (f): Profile-cylinder with insert, 360°, brass, nickel plated

Part No.	Key
C11-9402	Square 7 mm
C11-9403	Square 8 mm
C11-9405	Triangular 8 mm

Type (g): Profile-cylinder with tubular-lock

Part No.	Key
C11-9106	Keyed differently
C11-9107	Keyed alike (key code D0205)

Type (h): Profile-cylinder with security insert triangular 8mm

Part No.	Key
C11-9244	Triangular 8 mm

Type (i): Profile-cylinder with blind plug

Part No.	Clip-in
C11-0401	No
C11-9201	Yes

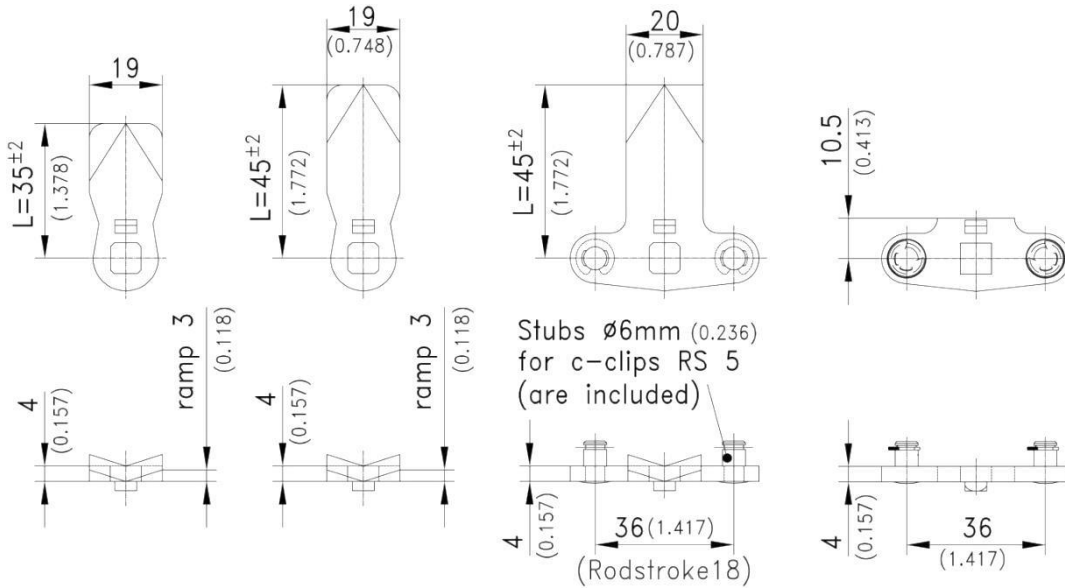
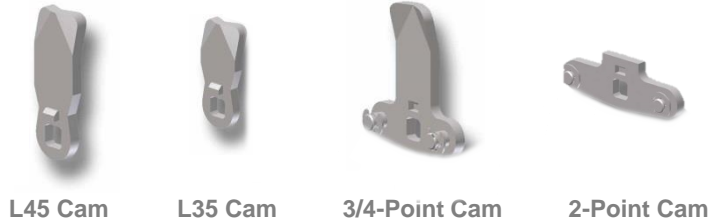
B102 Cams

Features

- Available in lengths of 3 5mm or 45 mm

Material

- Steel, zinc plated



L35 Cam

Part No.	H Dimension
C00-0606	6
C00-0608	8
C00-0610	10
C00-0613	13
C00-0614	14
C00-0616	16
C00-0618	18
C00-0620	20
C00-0622	22
C00-0624	24
C00-0625	25
C00-0626	26
C00-0628	28
C00-0630	30
C00-0635	35
C00-0638	38
C00-0640	40
C00-0642	42
C00-0644	44

L45 Cam

Part No.	H Dimension
C00-0402	2
C00-0404	4
C00-0406	6
C00-0408	8
C00-0410	10
C00-0413	13
C00-0414	14
C00-0416	16
C00-0418	18
C00-0420	20
C00-0422	22
C00-0424	24
C00-0425	25
C00-0426	26
C00-0428	28
C00-0430	30
C00-0432	32
C00-0434	34
C00-0435	35
C00-0436	36
C00-0438	38
C00-0440	40
C00-0442	42
C00-0444	44
C00-0445	45
C00-0447	47
C00-0450	50
C00-0453	53
C00-0455	55

3/4 Point Cam

Part No.	H Dimension
C00-9504	4
C00-9506	6
C00-9508	8
C00-9510	10
C00-9513	13
C00-9514	14
C00-9516	16
C00-9518	18
C00-9520	20
C00-9522	22
C00-9524	24
C00-9525	25
C00-9526	26
C00-9528	28
C00-9530	30
C00-9532	32
C00-9534	34
C00-9535	35
C00-9536	36
C00-9538	38
C00-9540	40
C00-9542	42
C00-9544	44
C00-9545	45
C00-9547	47
C00-9550	50

2 Point Cam

Part No.
C00-9599